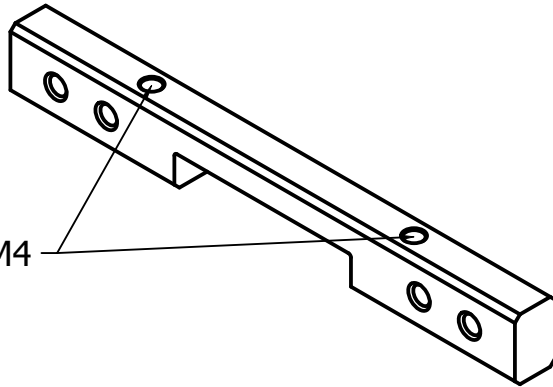
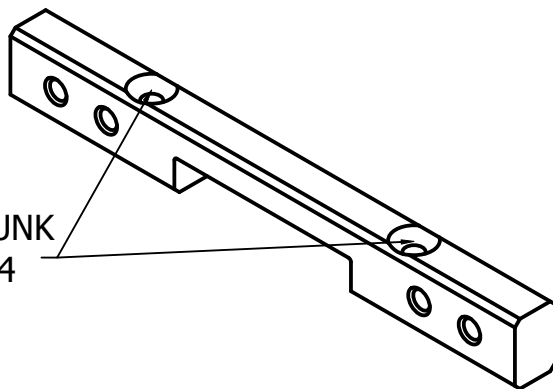


MPW50TBHFBSA



TAPPED M4

MPSAHMB



COUNTERSUNK
TO SUIT M4

MPJANARTEIGHB



Issue 1	Date 20/05/2020	Material	Finish	
Designed By terry	Checked By	Part No.		Scale @ A4
Description MULTIPOINT HANDLE FIXING BLOCKS				Sheet 1 / 1

